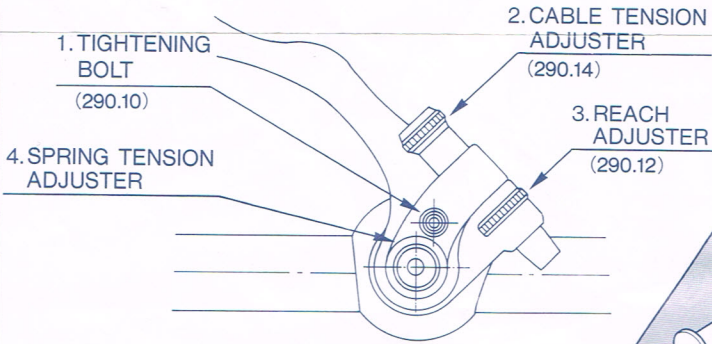


SERVICE INSTRUCTIONS

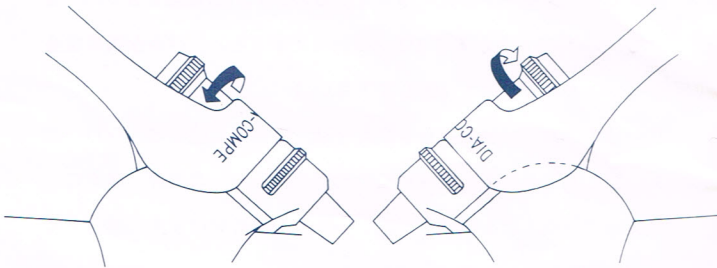
DIA-COMPE AD-290 LEVER

[1] A 5mm. allen key wrench is supplied for tightening the Advantage 290 lever securely onto the handlebar. A 70-90 kgf-cm torque is recommended.



[2] Please use the cable adjuster for proper cable tension. The tightening directions are shown in the diagrams below.

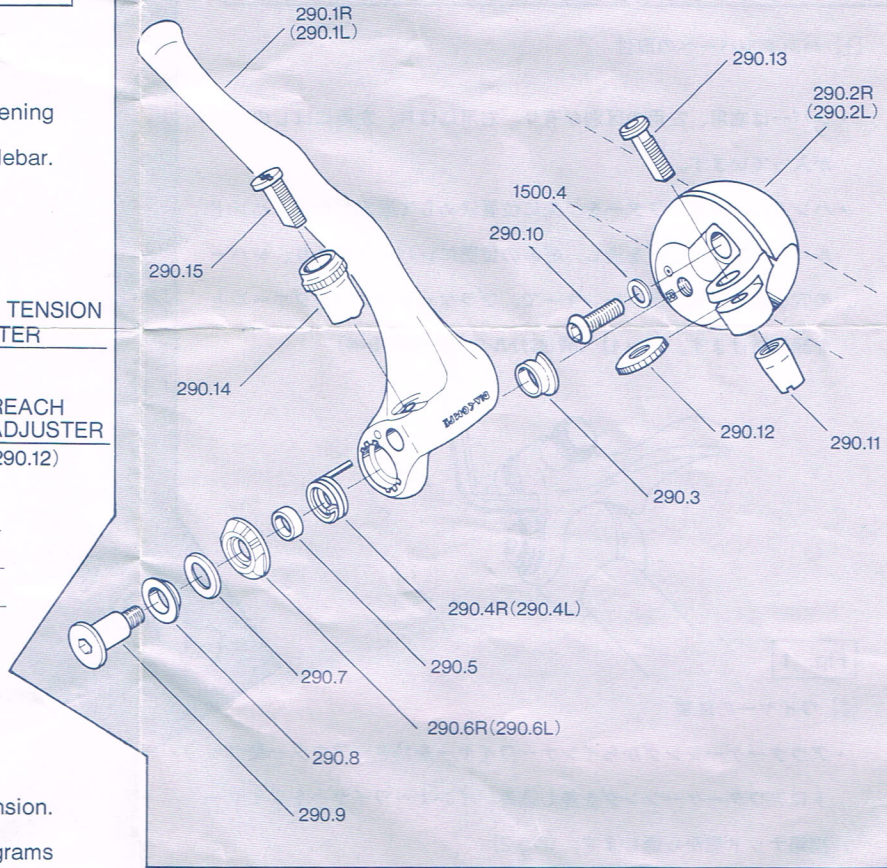
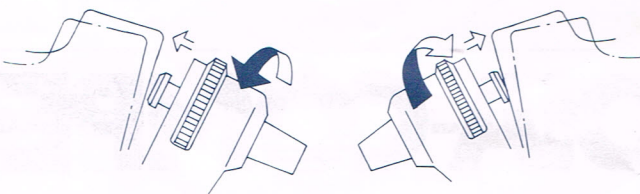
Note: The tightening directions are different for left and right levers.



AD-290 LEFT LEVER

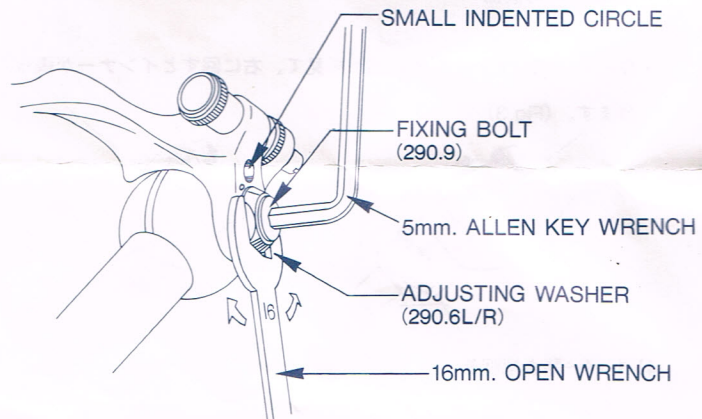
AD-290 RIGHT LEVER

[3] If the lever "reach" (the distance between the handlebar and lever) needs adjusting, please turn the reach adjuster as shown in the figures below.



[4] Steps to Adjust Lever Spring Tension

- a. Loosen the fixing bolt with a 5mm. allen key wrench just enough for the adjusting washer to move.
- b. Set the mark on the adjusting washers to the small indented circle. Spring tension is indicated as; I-weak, II-medium, III-strong.
- c. Tighten the fixing bolt. A torque of 70-90 kgf-cm is recommended.



DIA-COMPE

DIA-COMPE, INC.
Cane Creek Road, P.O. Box 798
Fletcher, N.C. 28732 U.S.A.
Tel: 704-684-3551

YOSHIGAI KIKAI KINZOKU CO., LTD.
9-15, 1-Chome Wakae Minamicho
Higashi Osaka JAPAN, 578.
Tel: 06-721-7051

August, 1987 by DIA-COMPE, Printed in Japan